



Construction of School Buildings, Staff Quarters,  
Boundary Wall etc. for Kendriya Vidyalaya, Harda, M.P.



**FORM- G**

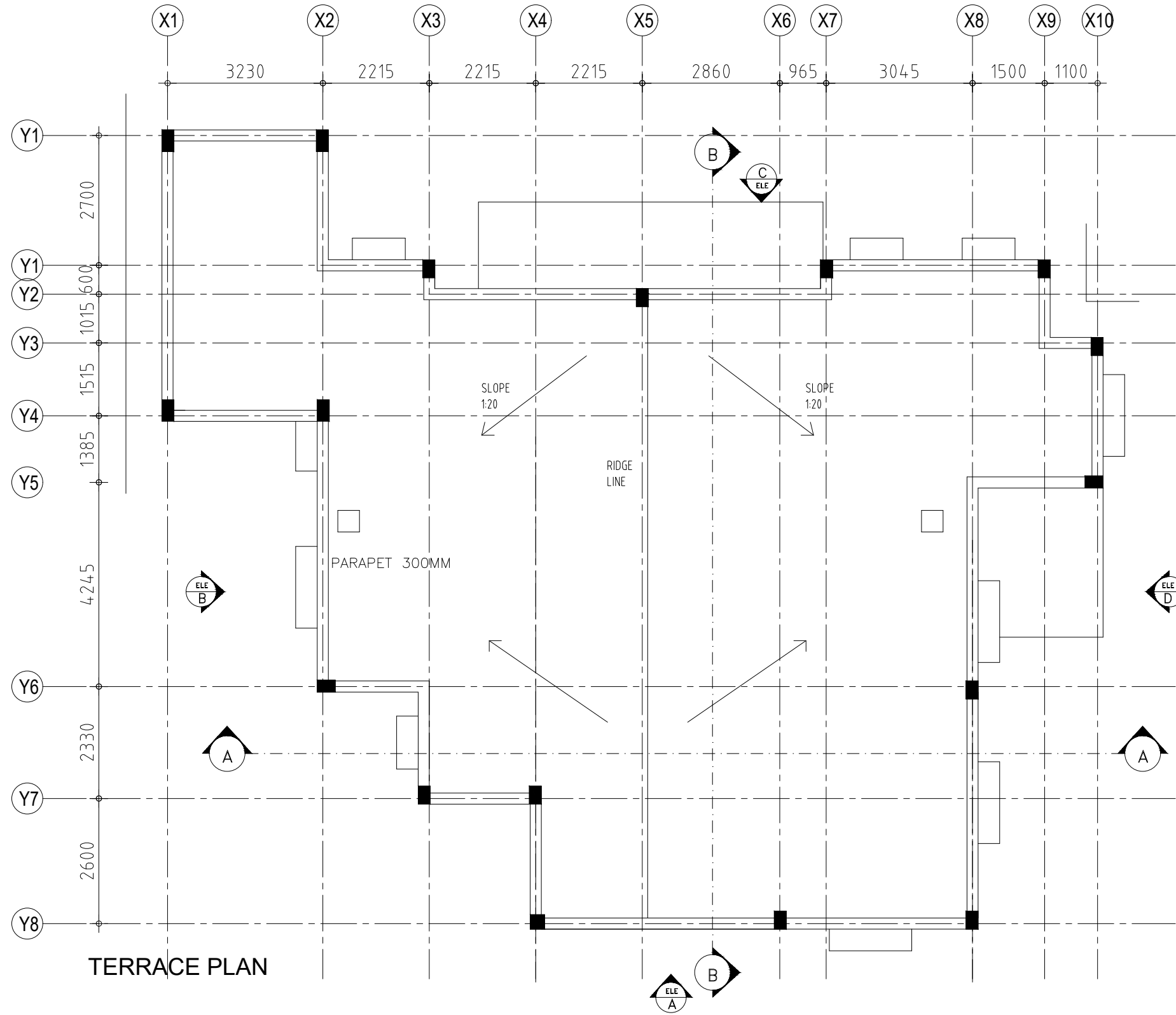
**Name of the work** : Construction of School Buildings, Staff Quarters and other facilities including Electrical works for Kendriya Vidyalaya at Harda, Madhya Pradesh

**Tender No.** : 08001/2023-2024/E27627 dated 26.06.2023

**PROFORMA FOR BIDDER'S PRE-BID QUERIES / CLARIFICATIONS**

SL. NO	BIDDER NAME	BIDDER'S QUERIES / CLARIFICATION	OWNER / FEDO's REMARKS
1	M/s Evercrest Projects Pvt. Ltd.	Details of Section and Make of Doors & Windows to be provided	As per Vendor list available in the tender
2		Supply and make of HT and LT panel	As per Vendor list available in the tender
3		Extension of bid submission time for 7 more days	Request shall be made by written communication through email
4	M/s S K Tiwari Construction	Whether estimate includes GST	Estimate is inclusive of GST
5		What is the Performance Guarantee?	As per tender
6	M/s EPIL, Western Division	Whether queries can be sent now?	Queries can be sent to the email address provided in the tender within this week
7	GENERAL	Bidders shall forward their queries to the email address provided in the tender within this week	
8	Additional drawings (Pages 2-7) attached.		





TERRACE PLAN

OWNER:  
**KENDRIYA VIDYALAYA  
 SANGATHAN**  
 PROJECT:  
**PROPOSED KENDRIYA  
 VIDYALAYA AT HARDA  
 (MADHYA PRADESH)**

DOOR WINDOW SCHEDULE						
S.N.	TYPE	OPENINGS	SILL	LINTEL	LOCATION	REMARKS
<b>DOORS</b>						
1.	D8	800 X 2100	-	2100	TOILET	PVC DOOR
2.	D9	900 X 2100	-	2100	BED ROOM	FLUSH DOOR
3.	D12	1200 X 2100	-	2100	MAIN DOOR	FLUSH DOOR
<b>WINDOWS</b>						
1.	W9	900 X 600	2100	2700	TOILET	STEEL WINDOW
2.	W15	1500 X 1200	900	2100	ROOM	STEEL WINDOW

THE DIMENSIONS & DETAILS  
 ARE TENTATIVE AND ARE  
 LIABLE TO MODIFICATIONS

REV.	DATE.	DESCRIPTION

REVISIONS:-

**TENDER DRAWING**

EXECUTING AGENCY :-

**FEDO**  
 FACT ENGINEERING & DESIGN  
 ORGANISATION (FEDO)  
 UDYOGMANDAL, KOCHI  
 683501

ASSOCIATES CONSULTANTS :-

**BUILDCON SOLUTIONS**  
 HEAD OFFICE : L-11, SARITA VIHAR,  
 NEW DELHI-110076  
 TELE FAX :- 011-40506870  
 EMAIL-buildconsolutions@gmail.com

DISCIPLINE:-

**ARCHITECTURE**

DRAWING TITLE:

**GROUND FLOOR PLAN  
 (TYPE-V / G)**

DRAWING NO.-

**1608-A-402**

SCALE: 1:100/A3      DATE: 21.10.2016

CHECKED BY: NPM

OWNER:  
KENDRIYA VIDYALAYA  
SANGATHAN

PROJECT:  
PROPOSED KENDRIYA  
VIDYALAYA AT HARDA  
(MADHYA PRADESH)

NOTES

1. ALL DIMENSIONS GIVEN IN THE DRAWING ARE IN METERS UNLESS OTHERWISE SPECIFIED.  
2. ALL DIMENSIONS SHALL BE TO FACE UNLESS OTHERWISE SPECIFIED.  
3. ALL DIMENSIONS SHALL BE TO FACE UNLESS OTHERWISE SPECIFIED.  
4. ALL DIMENSIONS SHALL BE TO FACE UNLESS OTHERWISE SPECIFIED.  
5. ALL DIMENSIONS SHALL BE TO FACE UNLESS OTHERWISE SPECIFIED.

CONCRETE  
1. USE CONCRETE GRADE M-20 UNLESS OTHERWISE SPECIFIED.  
2. USE CONCRETE GRADE M-20 UNLESS OTHERWISE SPECIFIED.  
3. USE CONCRETE GRADE M-20 UNLESS OTHERWISE SPECIFIED.

R.C.C. & CONSTRUCTION  
1. ALL REINFORCING STEEL SHALL BE OF STANDARD QUALITY CONFORMING TO IS 1786 PART 1.  
2. ALL REINFORCING STEEL SHALL BE OF STANDARD QUALITY CONFORMING TO IS 1786 PART 1.  
3. ALL REINFORCING STEEL SHALL BE OF STANDARD QUALITY CONFORMING TO IS 1786 PART 1.

BRICK  
1. THE MINIMUM CURING STRENGTH OF BRICKS SHALL BE 70% OF FULL STRENGTH.  
2. THE MINIMUM CURING STRENGTH OF BRICKS SHALL BE 70% OF FULL STRENGTH.  
3. THE MINIMUM CURING STRENGTH OF BRICKS SHALL BE 70% OF FULL STRENGTH.

CONSTRUCTION PRACTICE  
1. THE MINIMUM CURING STRENGTH OF BRICKS SHALL BE 70% OF FULL STRENGTH.  
2. THE MINIMUM CURING STRENGTH OF BRICKS SHALL BE 70% OF FULL STRENGTH.  
3. THE MINIMUM CURING STRENGTH OF BRICKS SHALL BE 70% OF FULL STRENGTH.

REVISIONS  
REV. NO. DATE DESCRIPTION

WORKING DRAWING  
EXECUTING AGENCY:-

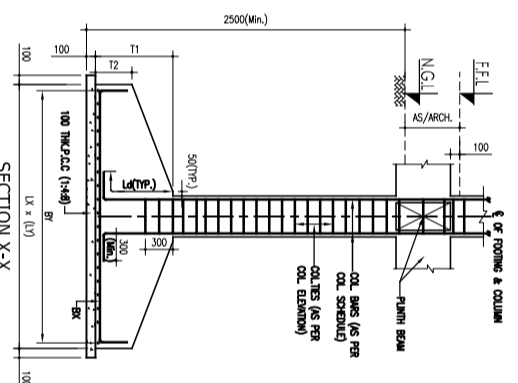
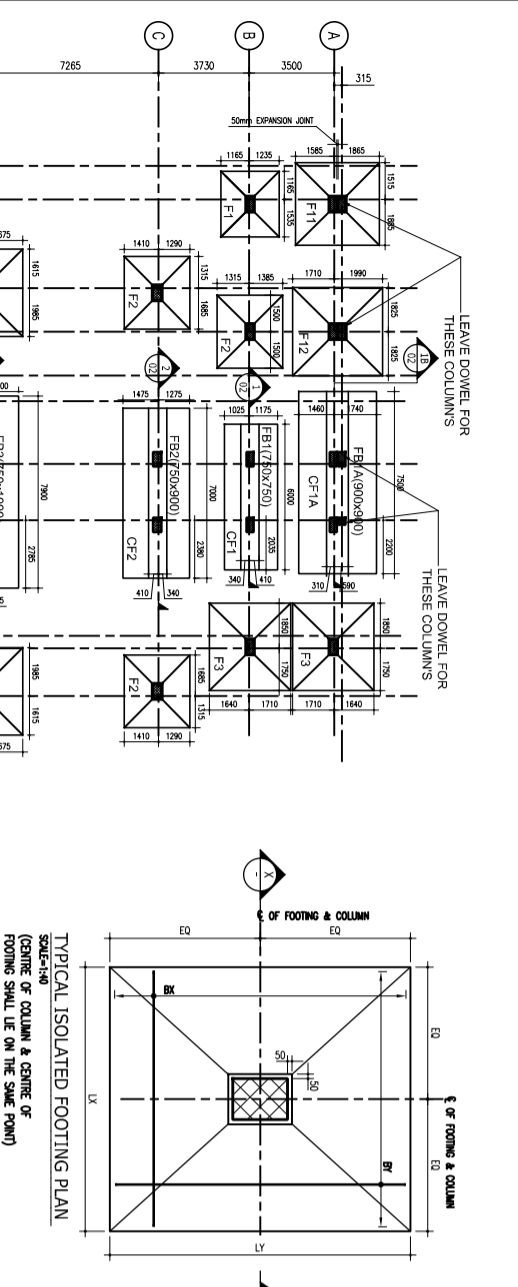
FACT ENGINEERING & DESIGN  
ORGANISATION (FEEDO)  
UDYOGMANDAL, KOCHI-683301  
ASSOCIATES CONSULTANTS:-

BUILDCON SOLUTIONS  
HEAD OFFICE :- L-1, SARITA VIHAR,  
NEW DELHI-110076  
TELE FAX :- 011-40506870  
EMAIL:- buildconsolutions@gmail.com

STRUCTURE CONSULTANTS:  
PERCEPTIONS  
11/765 SECTOR-11, VASUNDHARA,  
GHAZIABAD (U.P.)  
email:- perceptions.st@gmail.com

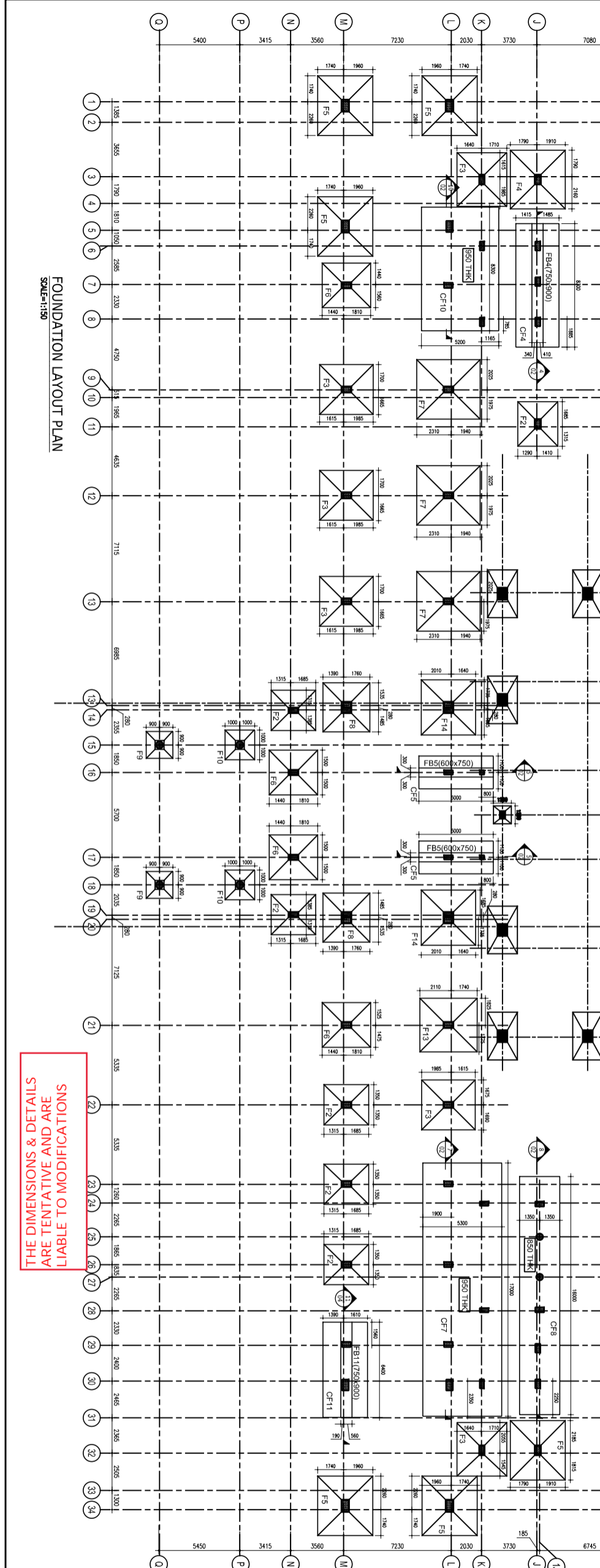
STRUCTURE DRAWING  
DRAWING TITLE:-  
SCHOOL BUILDING COLUMN &  
FOUNDATION LAYOUT PLAN

DRAWING NO.:-  
1608-S-101  
SCALE: 1:100 DATE: 21.10.2016  
CHECKED BY: SANJAY JASWAL



FTG.MK'D	DIMENSIONS				BOTTOM REINFORCEMENT	
	Lx	Ly	T1	T2	PARALLEL TO Lx	PARALLEL TO Ly
F1	2400	2700	650	250	T10 @100c/c	T10 @100c/c
F2	2700	3000	700	250	T12 @125c/c	T12 @125c/c
F3	3350	3600	850	300	T12 @100c/c	T12 @100c/c
F4	3700	3950	950	350	T16 @150c/c	T16 @150c/c
F5	3700	4000	950	350	T16 @150c/c	T16 @150c/c
F6	3000	3250	750	250	T12 @100c/c	T12 @100c/c
F7	4000	4250	1000	350	T16 @150c/c	T16 @150c/c
F8	3150	3300	800	300	T12 @100c/c	T12 @100c/c
F9	1800	1800	450	200	T10 @125c/c	T10 @125c/c
F10	2000	2000	450	200	T10 @125c/c	T10 @125c/c
F11	3400	3450	850	300	T12 @100c/c	T12 @100c/c
F12	3650	3700	900	300	T16 @150c/c	T16 @150c/c
F13	3600	3850	900	300	T16 @150c/c	T16 @150c/c
F14	3600	3750	900	300	T12 @100c/c	T12 @100c/c

TRUSS FOUND. DETAILS IN SEPARATE DWG.



THE DIMENSIONS AND DETAILS ARE TENTATIVE AND ARE SUBJECT TO MODIFICATIONS









### Technical queries

<b>Bidder name:</b>		<b>Evercrest projects private limited</b>	
<b>Tender no.</b>		<b>Construction of school buildings, staff quarters and other facilities including electrical works for kendriya</b>	
<b>Name of work</b>		<b>08001/2023-2024/e27627</b>	
<b>Sr. No.</b>	<b>Item description</b>	<b>Technical query</b>	<b>Reply by FEDO</b>
1	Ht panels	Kindly clarify whether we have to quote for oem panels or channel partners will be Considered?	<i>Make shall be as per the sub vendor list attached ie OEM panels</i>
		Kindly approve l&t make for ht panel.	<i>Tender condition shall prevail. Shnieder make panels are acceptable.</i>
2	Lt panels	Kindly clarify whether panels are tta or non - tta?	<i>Type tested panels are not envisaged. Make shall be as per the approved vendor list.</i>
3	Make	Kindly provide make for cable tray, solar.	<i>Any standard make shall be selected. Items which are not included in the vendor list shall be got approved from FEDO before finalizing.</i>
4	Switch & socket	Makes are provided for switch socket like legrand, anchor, abb, l&t but range for the same is not mentioned. Which range of given make {i.e. Legrand make (legrand Myrius, legrand arteor etc...), achor make (achor roma plus, anchor roma classic etc...), crabtree make (crabtree athena, crabtree verona etc..)}. Kindly clarify which range to be considered for all given makes of switch socket.	<i>Vendor list only to be followed. Model shall be selected accordingly</i>