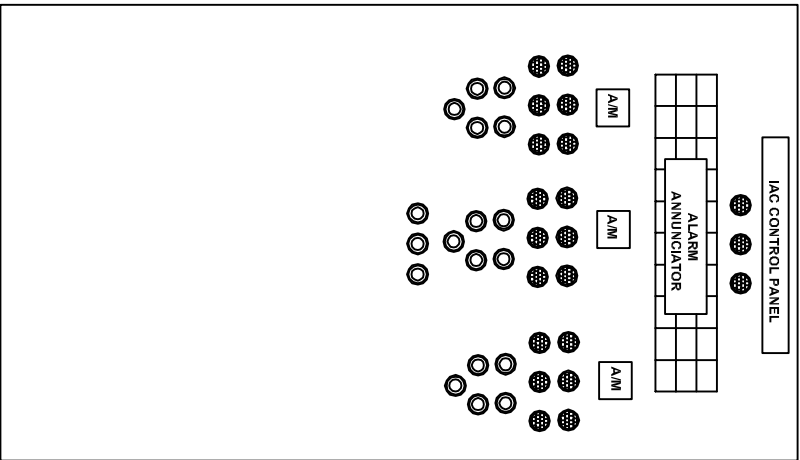


1 2 3 4 5 6

A

B

C

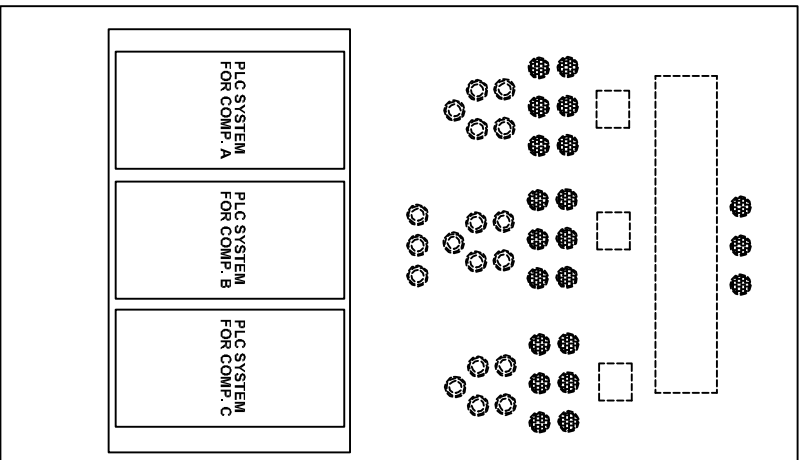


GA DRAWING FOR IAC PLC PANEL  
(FRONT VIEW)

A

B

C



GA DRAWING FOR IAC PLC PANEL  
(INSIDE VIEW)

**LEGENDS:**

- - INDICATIONS LAMPS
- - PUSH BUTTONS/SWITCHES
- A/M - AMMETER FOR MOTOR CURRENT DISPLAY

D

Notes:  
1. FIELD SIGNAL TERMINATIONS TO BE PROVIDED AT SIDE-TOP PORTION OF THE PANEL TO ENSURE UTILISATION OF EXISTING FIELD CABLES.  
2. FOR PANEL DIMENSION AND NUMBER OF COMPONENTS, REF. DATA SHEET NO. INST-PETRO-N2PLANT-DA-001.  
3. INDICATIVE DRAWING ONLY.  
4. FOR AMMETER VENDOR TO GIVE ONLY CUTOUT. THE SUPPLY OF AMETER IN FACT SCOPE.

Reviewed by	MPR	Released by	ERM
Design checked by	KVG	Drawn by	ERM
Drawing checked by	MPR	Date of Release	20.03.2019

Description: GA DRAWING FOR IAC PLC PANEL  
Project: PLC CONVERSION OF NITROGEN PLANT  
Customer: FERTILIZERS & CHEMICALS TRAVANCORE LTD.  
Consultant: NA

SHEET 31 of 32  
NO. OF SHEETS 01

Dwg. No. : INST-PETRO-N2PLANT-DWG-001	REV.	00
---------------------------------------	------	----

1 2 3 4 5 6

D