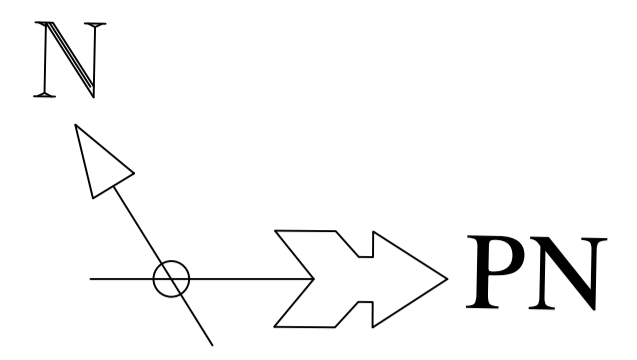
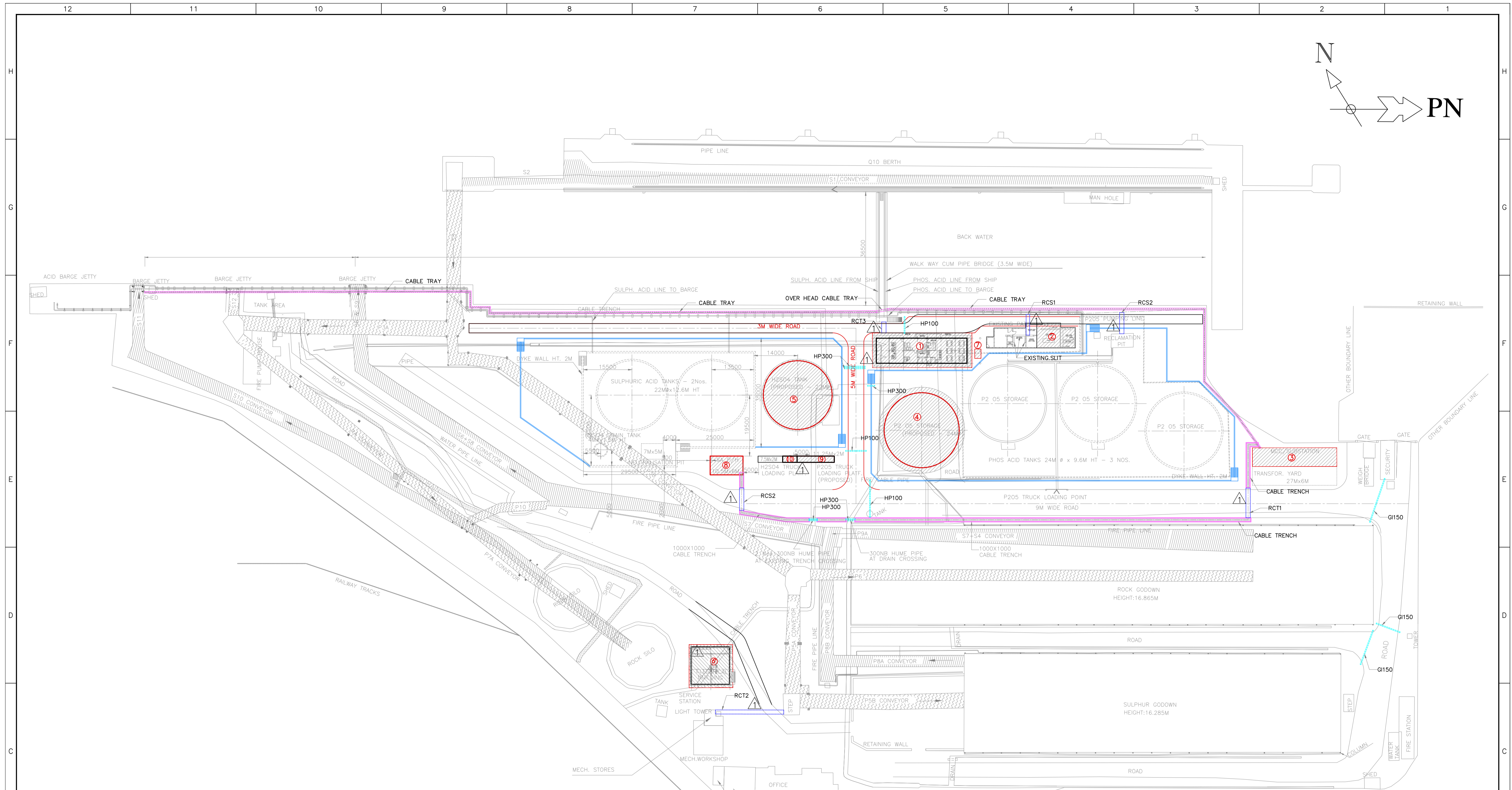


Queries / Clarifications / Suggestions raised by Contractors during pre-bid meeting

1. Whether water for construction would be available at free of cost to the contractor?
As RMC is used, maximum water demand per day is estimated to be 6000L. Water shall be made available at one point at FACT CD, Ambalamedu. The contractor shall make necessary transportation arrangements and required storage tanks at Q10, berth Willingdon Island.
2. Whether electric power for construction would be available at free of cost to the contractor?
Electric power required for construction shall be made available at a single point near Substation building.
3. Permit for carriage of excavated earth be obtained by FACT from CoPT and Mining & Geology department?
FACT will obtain permit for the carriage of excavated earth from Willingdon Island to FACT CD from the concerned authorities.
4. Permit for cutting trees may be obtained by FACT from CoPT.
FACT will obtain permit for cutting trees from CoPT.
5. Water tanks over buildings to be shifted by FACT.
FACT will shift the water tanks over the buildings before demolishing work begins.
6. Lightning insulators / conductors to be cleared before dismantling works.
FACT will remove the lightning insulators / conductors before dismantling works
7. Flooring spec for extension over Sulphuric Acid Pump house?
Flooring inside the instrument panel room shall be densified clear finish on existing concrete roof.
8. Clarifications are required with respect to BOQ quantities of GRP gratings and earthwork excavations
Please see attached drawings of Cable trench for a length of 180m length and typical detail of cable tray support (approximately 240 Nos). Typical details of road crossing cable culverts are also given in the drawing, The contractors may confirm the quantum of work from these drawings.
9. Electrical cables in Sulphuric acid pump house to be cleared as necessary for the construction of access stair.
FACT will shift the electrical cables before the construction of access stairs to top floor.

Even though the RCC items of work are for cast *in-situ* concrete, contractor at his own cost and risk may use precast methodology wherever possible so as to complete the work in the time frame.



LEGEND:

	PROPOSED STRUCTURE
	PROPOSED ROAD
	PROPOSED RCC CABLE TRENCH * (FOR LAYING ELECTRICAL CABLES)
	PROPOSED CABLE TRAY *
	PROPOSED DYKE
	HUME PIPE
	ROAD CROSSING TRENCH
	ROAD CROSSING SLIT*
	ROAD CROSSING TRENCH*
	HP100 100NB RCC HUME PIPE
	HP300 300NB RCC HUME PIPE
	GI150 150NB GI PIPE

1	NEW CONTROL BUILDING
2	PAT BUILDING
3	NEW MCC ROOM OVER SUBSTATION BUILDING
4	PHOSPHORIC ACID TANK(H3PO4) 24M DIA.
5	SULPHURIC ACID TANK (H2SO4) 22M DIA.
6	NEW ELECTRICAL SHED (12Mx12.28M)
7	SEPTIC TANK
8	ADDITIONAL ROOM ABOVE S.A PUMP HOUSE
9	P205 TRUCK LOADING PLATFORM
10	ADDITIONAL BAY FOR H2SO4 TRUCK LOADING PLATFORM

NOTES:
 1. ALL DIMENSIONS ARE IN MM UNLESS OTHERWISE SPECIFIED.
 2. *SECTIONAL DETAILS ARE ATTACHED IN DWG NO. 32643-12-DG-00002

THE LOCATION OF CABLE TRAY IS TENTATIVE AND ARE LIABLE TO MODIFICATIONS AS PER SITE REQUIREMENT

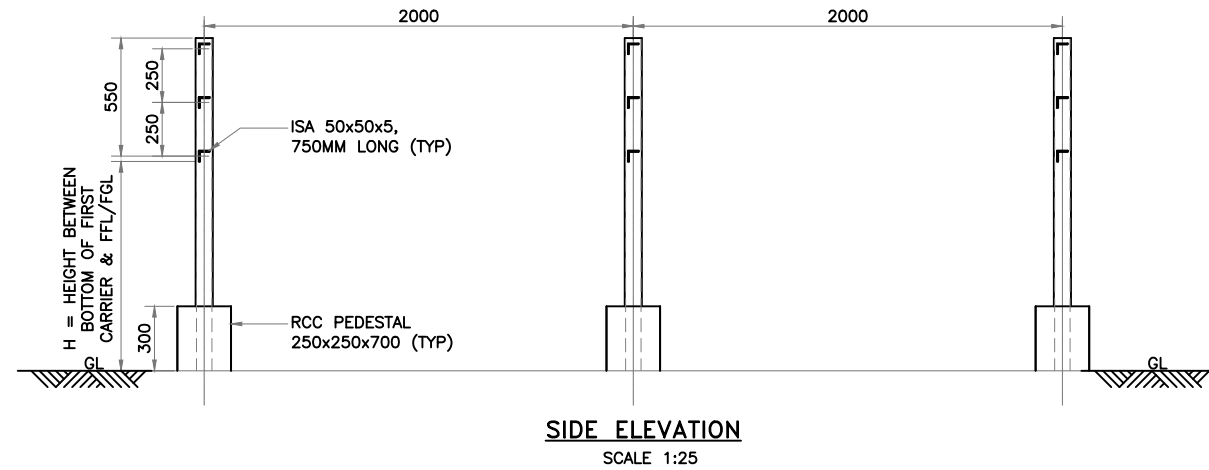
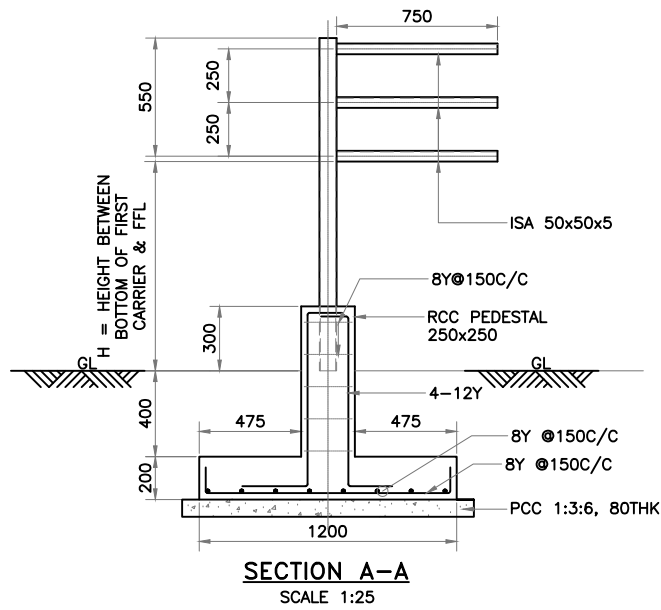
CIVIL ENGINEERING DEPARTMENT	
DRAWING	
FOR COMMENTS APPROVAL	
FOR TENDER PURPOSE ONLY	14/12/2019
PRELIMINARY ADVANCE COPY	
GOOD FOR CONSTRUCTION	

THIS DRAWING IS THE PROPERTY OF FACT ENGINEERING AND DESIGN ORGANISATION AND IS TO BE USED ONLY FOR THE PURPOSE FOR WHICH IT WAS LENT AND MUST NOT BE USED IN ANY WAY DETRIMENTAL TO THE INTEREST OF THE COMPANY AND IS SUBJECT TO RETURN ON DEMAND

CLIENT M / s FACT CD

DRAWING NO.	TITLE	NO	ZONE	PARTICULARS	REVISED	CHECKED	APPROVED	DATE
	REFERENCE DRAWING	1		ROAD CROSSING TRENCH ADDED AND ELECTRICAL WORKSHOP & LOADING PLATFORM SIZE CHANGED	KK	AVR	ASOK	14.03.2020

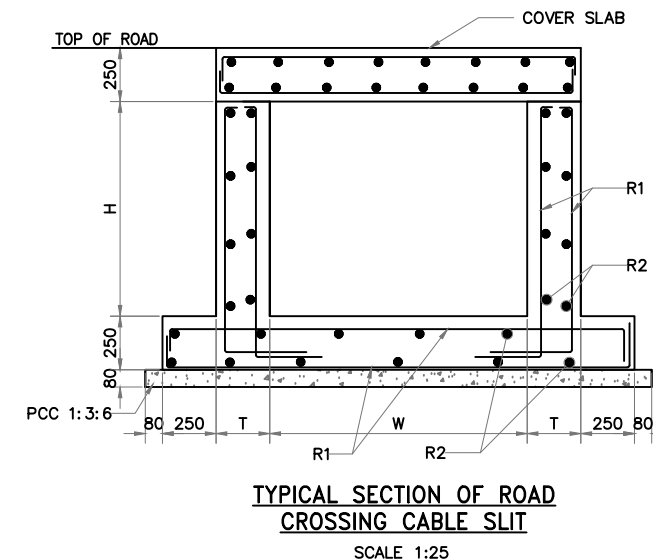
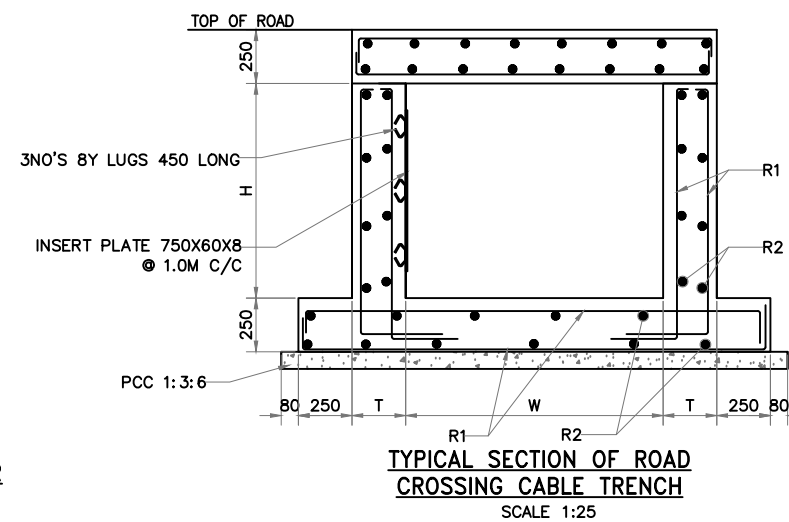
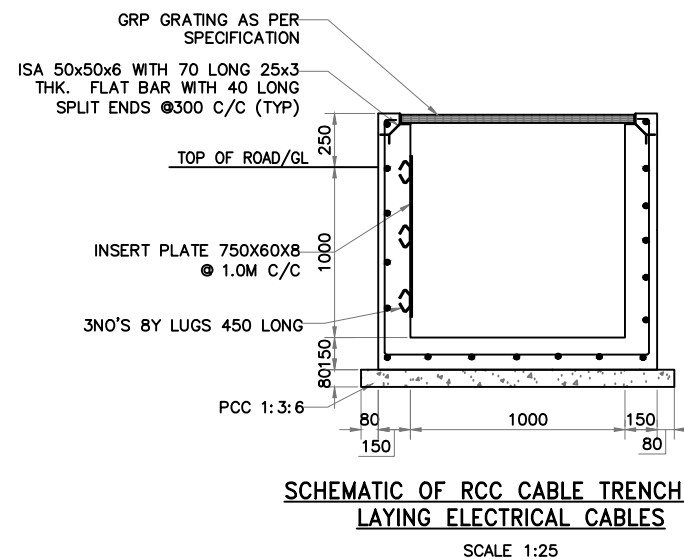
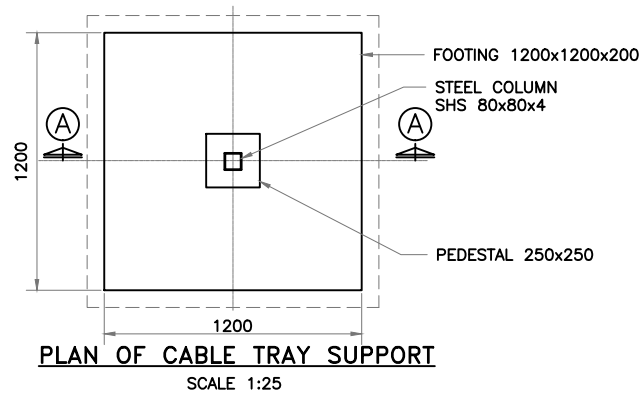
SCALE	1:600	FACT ENGINEERING & DESIGN ORGANISATION THE FERTILISERS AND CHEMICALS TRAVANCORE LTD UDYOGAMANDAL KERALA
DATE	14.12.2019	
DRAWN	KAVITHA	
CHECKED	SUJITH	
DESIGNED	SURYA	
CHECKED	SUJITH	PROJECT NAME: NEW H2SO4 TANK AT Q10 BERTH, WI
APPROVED	ASOK	PROJECT NO: 32643
SHEET 1 OF 1		DRG. NO. 32643-12-DG-00001



NAME	SIZE	WALL THICK (T)	WIDTH(W)	HEIGHT (H)	APPROXIMATE LENGTH(M)	MAIN REINFORCEMENT (R1)	DISTRIBUTOR (R2)
RCS1	400X400	250	400	400	7.00	10Y @ 180 C/C	8Y @ 200 C/C
RCS2	300X300	250	300	300	14.00	10Y @ 180 C/C	8Y @ 200 C/C

NAME	HEIGHT(H)
CABLE TRAY	1000
OVER HEAD CABLE TRAY	2000

NAME	SIZE	WALL THICK (T)	WIDTH(W)	HEIGHT (H)	APPROXIMATE LENGTH(M)	MAIN REINFORCEMENT (R1)	DISTRIBUTOR (R2)
RCT1	1250X1250	250	1250	1000	9.50	10Y @ 150 C/C	8Y @ 200 C/C
RCT2	900X900	250	900	750	22.00	10Y @ 180 C/C	8Y @ 200 C/C
RCT3	750X750	250	750	400	3.50	10Y @ 180 C/C	8Y @ 200 C/C



NOTES:-

- ALL DIMENSIONS ARE IN MM AND LEVELS ARE IN M.
- GRADE OF CONCRETE FOR ROAD CROSSING CABLE TRENCHES, CABLE TRAY & SLIT SHALL BE M30.
- GRADE OF CONCRETE FOR CABLE TRENCH SHALL BE M25.

CIVIL ENGINEERING DEPARTMENT	
DRAWING	
FOR COMMENTS APPROVAL	
FOR TENDER PURPOSE ONLY	✓ 14.03.2020
PRELIMINARY ADVANCE COPY	
GOOD FOR CONSTRUCTION	

THIS DRAWING IS THE PROPERTY OF FACT ENGINEERING AND DESIGN ORGANISATION AND IS TO BE USED ONLY FOR THE PURPOSE FOR WHICH IT WAS LENT AND MUST NOT BE USED IN ANY WAY DETERIMENTAL TO THE INTEREST OF THE COMPANY AND IS SUBJECT TO RETURN ON DEMAND

CLIENT M/s. FACT CD

DRAWING NO. TITLE NO ZONE PARTICULARS REVISION

SCALE 1:100
DATE 13.03.2020
DRAWN VYSAKH
CHECKED SUJITH
DESIGNED ARYA
CHECKED SUJITH
APPROVED ASOK

FACT ENGINEERING & DESIGN ORGANISATION
THE FERTILISERS & CHEMICALS TRAVANCORE LTD
UDYOGAMANDAL KERALA
PROJECT NAME: NEW H2S04 TANK AT Q10 BERTH,W PROJECT NO: 32643
TITLE: SECTIONAL DETAILS OF CABLE TRAY SUPPORTS, CABLE TRENCHES & SLIT
SHEET 1 OF 1 DRG. No. 32643-12-DG-00002 REV.

